



3.5" PATA Hard Disk Drive Enclosure

RF-PHD35

User Guide



3.5" PATA Hard Disk Drive Enclosure

Contents

Introduction	3
Safety information	3
Important safety instructions	3
Features.....	3
Package contents	4
System requirements	4
Setting up your hard drive enclosure	4
Installing your hard drive in the enclosure	4
Connecting the enclosure to your computer.....	5
Installing the software.....	5
Using your enclosure	6
Starting Roxio BackOnTrack.....	6
Disconnecting the enclosure from your computer	7
Uninstalling the backup software	7
Troubleshooting	7
Specifications.....	8
Legal notices	8
One-year limited warranty.....	9

Introduction

Congratulations on the purchase of your new Rocketfish RF-PHD35 external hard drive enclosure kit. By simply assembling your 3.5" EIDE/ATA hard drive into the enclosure, you can easily back up, restore, and synchronize your data using the one-touch backup button.

Safety information

Warning: To reduce the risk of fire or electric shock, do not expose this device to rain or moisture.



This symbol indicates that dangerous voltage constituting a risk of electric shock is present within your TV. This label is located on the back of your TV.



This symbol indicates that there are important operating and maintenance instructions in the literature accompanying your TV.

Important safety instructions

- This device is to be used in temperatures of 41~95°F (5~35°C). Temperatures exceeding these limits may damage your hard drive or the enclosure. Avoid heat sources or direct sunlight.

Features

- Supports any 3.5" IDE HDD up to 750 GB capacity
- Plug-and-play capability
- Lightweight and streamlined, with a useful, stackable design
- One-touch button to easily backup, restore, and synchronize the data between your computer and the enclosure's hard drive
- Patented, structurally strong aluminum design
- Compatible with both PCs and Macintoshes
- High-speed USB 2.0 interface (compatible with USB 1.1)

Note: To achieve USB 2.0 speeds, your drive must be connected to a USB 2.0 host port. If it is connected to a USB 1.1 port, your drive will operate at USB 1.1 speeds.

- This device can be stored in a humidity range of between 10% and 90%, and can be operated in a humidity range of between 5% and 80%.
- Do not connect the device to your computer without taking precautions to avoid electrostatic discharge or short circuits, which could damage the device or your computer.
- Do not place this device close to a source of strong magnetic fields (such as a computer screen, TV, radio, or speaker). Strong magnetic fields can affect the reliability of data transfer to and from the device.
- Do not place anything heavy on top of the device.
- Use only the accessories provided in the accessory package.
- Before you install or use the device, read the user manual and assemble the enclosure carefully.
- To prevent short circuits, do not leave any metal objects inside the enclosure when installing the hard drive.
- To prevent short circuits, do not use the device close to water, rain, or high humidity.

- Simple setup and easy to use
- Bundled with One-Touch Backup software (for Windows 7, Windows Vista, and Windows XP)

Package contents

- RF-PHD35 enclosure (1)
- Hi-speed USB 2.0 cable (1)
- AC power adapter (1)
- Stand (1)
- Roxio BackOnTrack Backup software CD with *User Guide* included (1)
- *Quick Setup Guide* (1)

- Screws (in small bag inside of the enclosure) (4)
- Screwdriver (1)

System requirements

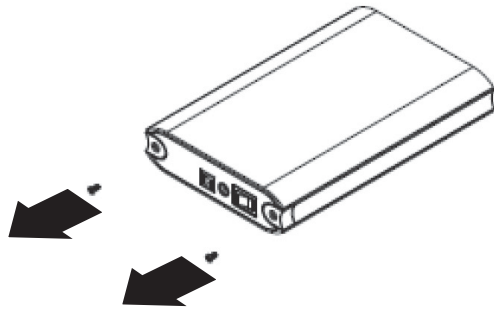
- Computer with built-in USB 2.0 ports
- Windows 7, Windows Vista, Windows XP, or Mac OS X v10.2.0 or newer
- Intel Pentium II 350 MHz-compatible or G3 processor or greater
- Minimum 128 MB RAM

Setting up your hard drive enclosure

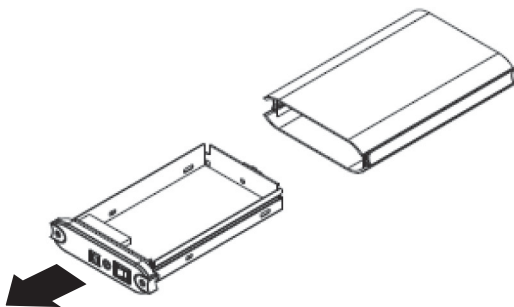
Installing your hard drive in the enclosure

To install your hard drive in the enclosure:

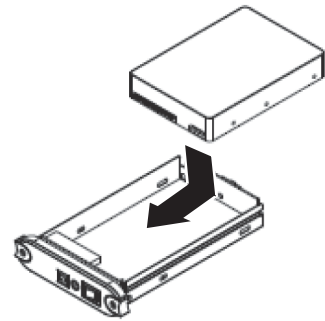
- 1 Remove the two screws from the rear panel.



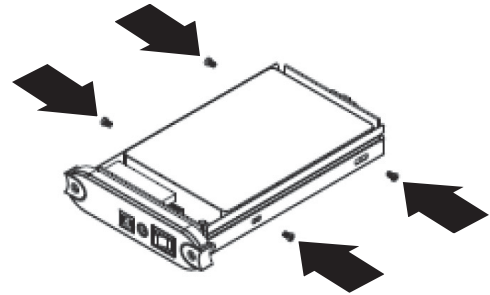
- 2 Slide the drive tray out of the enclosure.



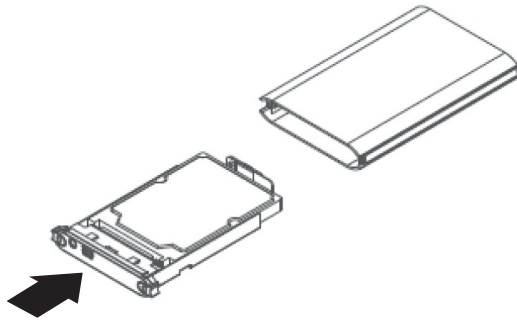
- 3 Insert the drive into the drive tray.



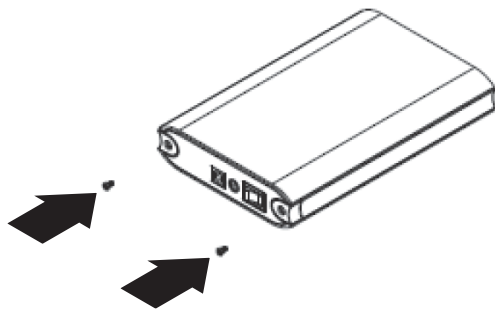
- 4 Secure the drive to the drive tray with the four included screws.



- Slide the drive tray into the enclosure.



- Replace the two screws on the rear panel.



Connecting the enclosure to your computer

Note: Connect the hard drive enclosure to your computer before inserting the software CD into your optical drive.

Note: Before connecting the enclosure to your computer, make sure that the jumpers on your computer's internal hard drive or optical drive are set to **MASTER**.

To connect the enclosure to your computer:

- Plug the AC power adapter into a power outlet and into the enclosure.
- Connect the included USB cable to the enclosure and to your computer.

The operating system automatically detects and sets up the new drive. If the drive is correctly detected, a new drive letter is assigned to the enclosure.

- For Macintosh computers, the new drive letter appears on the desktop.
- For PCs, the *Safely Remove Hardware* icon appears on your taskbar.

Note for Windows users: If you do not see an additional drive in your system, you must format the new drive. See *Windows online help* for more information.

Notes for Macintosh users: Select **Disk Utilities** from the **Utilities** folder, then select the external enclosure and format the drive to meet your requirements.

Installing the software

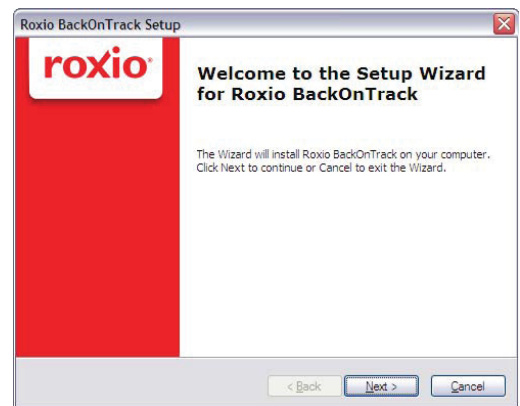
The installation CD includes backup software to enable you to back up your files.

Note: This Roxio BackOnTrack software runs only on Windows 7, Windows Vista, and Windows XP computers using USB.

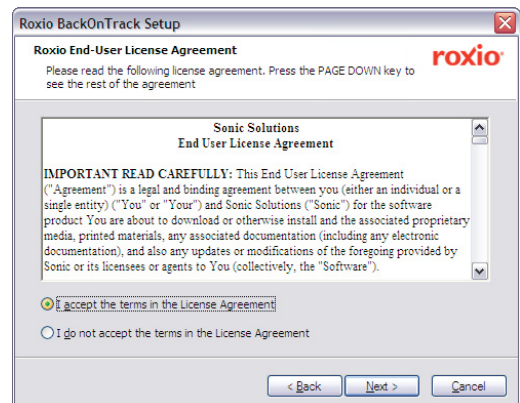
Important: Before installing the backup software, make sure that your Windows operating system has been updated to the latest service pack. To make sure you have the latest service pack, run Windows Update. No additional driver is required.

To install Roxio BackOnTrack:

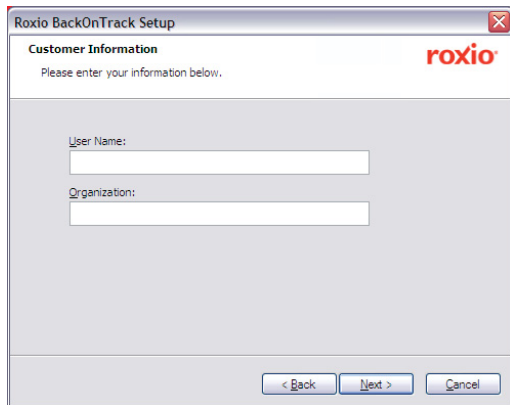
- Save all files and close all programs.
- Insert the included CD into your optical drive. The introductory screen opens.
Or, if the screen does not open, double-click the **autorun.exe** file on the CD.
- Click **Install Roxio® BackOnTrack™ 3 LE**. The *Welcome* screen opens.



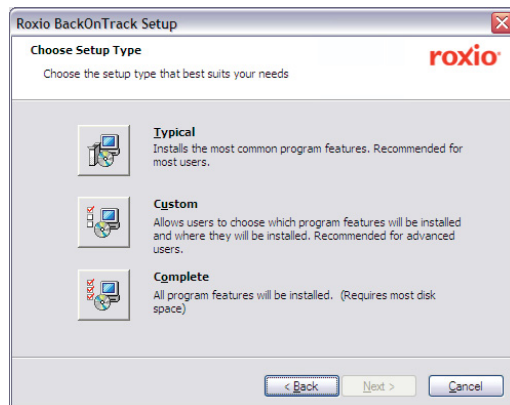
- Click **NEXT**. The *Roxio End-User License Agreement* screen opens.



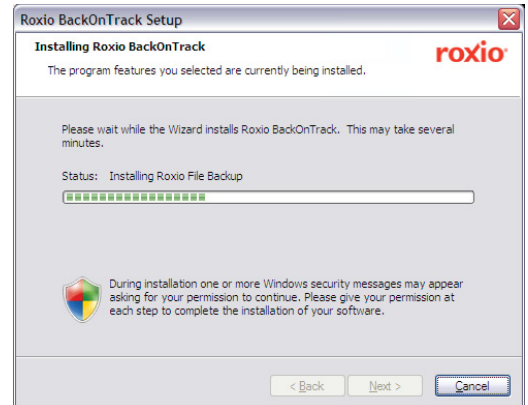
- 5 Read the license agreement, then click **NEXT** to agree. The *Customer Information* screen opens.



- 6 Enter your information, then click **NEXT**. The *Choose Setup Type* screen opens.



- 7 Choose the setup type, then click **Install** to start installation. It may take several minutes to install the software.



- 8 When installation is complete, the *Setup Wizard Completed* screen opens.



- 9 Click **FINISH** to complete the installation.

Using your enclosure

Starting Roxio BackOnTrack

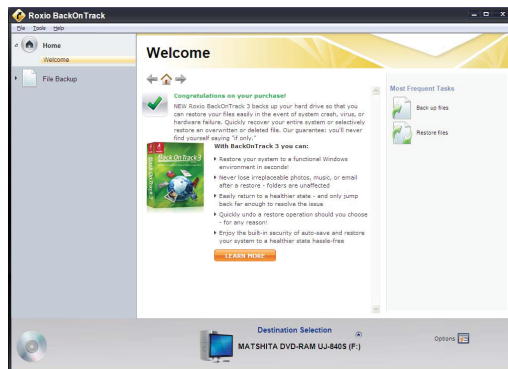
To start Roxio BackOnTrack:

- 1 Press the backup button (the button with the Rocketfish logo on it) on the front of the enclosure.
Or, click **Start, BackOnTrack**, then click **BackOnTrack Home**.

The first time you run the software, the Product Registration screen opens.



- 2 Complete the *Product Registration* information as prompted (first time only). The main screen opens.



- 3 To back up or restore files, follow the on-screen guide. For help, press F1 or click **Help**.

Troubleshooting

I do not see the additional drive in my system

Windows users: Partition and format the new hard drive by using **Disk Management** in Windows.

Macintosh users: Partition and format the new hard drive by clicking **Disk Utilities** in the **Utilities** folder, then clicking your external enclosure.

My computer does not detect the enclosure

- Make sure that the USB cable is connect firmly to your enclosure and computer.
- Make sure that the USB cable is not broken.
- Open the enclosure and make sure that all of the connections are securely fastened.

Disconnecting the enclosure from your computer

You can disconnect the enclosure at any time while the computer is turned off. If, however, you want to disconnect it while the computer is on, make sure that you do it correctly.

To disconnect the enclosure while Windows is running:

Note: If a drive window is open or the hard drive enclosure is active, close any associated windows before trying to remove the enclosure.

- 1 Right-click the **Safely Remove Hardware** icon (located in the notification area of the taskbar where you usually see the time displayed).
- 2 Click the device you want to unplug, then click **STOP**.
- 3 When Windows notifies you that it is safe to do so, unplug the enclosure from your computer.

To disconnect the enclosure while Mac OS X is running:

- 1 Drag the **USB** icon into the **TRASH**.
- 2 Unplug the enclosure.

Uninstalling the backup software

To uninstall the backup software in Windows:

- 1 Open the **Control Panel**.
- 2 Click **Add or Remove Programs** (Windows XP) or **Programs and Features** (Windows Vista).
- 3 Click **Roxio BackOnTrack**, then click **Change/Remove** (Windows XP) or **Uninstall** (Windows Vista).
- 4 Follow the on-screen instructions to remove the software completely from your computer.
- 5 After the software is uninstalled, restart your computer if prompted.

- Use the rear USB ports on the back of the computer instead of the front USB ports.
- Check for motherboard compatibility issues.
- Check for hard drive compatibility issues.

Specifications

Hard drive type	3.5" IDE hard drive
Dimensions	5.24 × 8.09 × 1.37 inches (133.17 × 205.40 × 34.83 mm)
Weight	19.4 oz. (550 g) (estimated)
Interface	USB 2.0 (USB 1.1 compatible) 480 Mbps
Power supply	AC power adapter AC input: 100~240 V/ 0.8 A maximum 50~60 Hz DC output: DC 12 V +5/-8% / 0~2 A maximum

Main body housing	Aluminum with mirror treatment
Certificate	FCC (EMI) and UL/cUL (for power adapter only)
Temperature	Operating: 41~95°F (5~35°C) Non-operating: -4~149°F (-20~65°C)
Humidity	Operating: 10 to 90% non-condensing Non-operating: 5 to 80% non-condensing
MTBF	50,000 hours

Legal notices

FCC Part 15

This device complies with Part 15 of the FCC Rules. Operation of this product is subject to the following two conditions: (1) this device may not cause harmful interference, and (2) this device must accept any interference received, including interference that may cause undesired operation.

This equipment has been tested and found to comply within the limits for a class B digital device, pursuant to Part 15 of the FCC Rules. These limits are designed to provide reasonable protection against harmful interference in a residential installation. This equipment generates, uses, and can radiate radio frequency energy and, if not installed and used in accordance with the instructions, may cause harmful interference to radio communications. However, there is no guarantee that interference will not occur in a particular installation. If this equipment does cause harmful interference to radio or television reception, which can be determined by turning the equipment off and on, the user is encouraged to try to correct the interference by one or more of the following measures:

- Reorient or relocate the receiving antenna.
- Increase the separation between the equipment and receiver.
- Connect the equipment into an outlet on a circuit different from that to which the receiver is connected.
- Consult the dealer or an experienced technician for help.

FCC warning

Changes or modifications not expressly approved by the party responsible for compliance with the FCC Rules could void the user's authority to operate this equipment.

Canada ICES-003 statement

This Class B digital apparatus complies with Canadian ICES-003.

One-year limited warranty

Rocketfish Products ("Rocketfish") warrants to you, the original purchaser of this new **RF-PHD35** ("Product"), that the Product shall be free of defects in the original manufacture of the material or workmanship for one (1) year from the purchase of the Product ("Warranty Period"). This Product must be purchased from an authorized dealer of Rocketfish brand products and packaged with this warranty statement. This warranty does not cover refurbished Product. If you notify Rocketfish during the Warranty Period of a defect covered by this warranty that requires service, terms of this warranty apply.

How long does the coverage last?

The Warranty Period lasts for one year (365 days), beginning on the date you purchased the Product. The purchase date is printed on the receipt you received with the product.

What does this warranty cover?

During the Warranty Period, if the original manufacture of the material or workmanship of the Product is determined to be defective by an authorized Rocketfish repair center or store personnel, Rocketfish will (at its sole option): (1) repair the Product with new or rebuilt parts; or (2) replace the Product at no charge with new or rebuilt comparable products or parts. Products and parts replaced under this warranty become the property of Rocketfish and are not returned to you. If service of Products and parts are required after the Warranty Period expires, you must pay all labor and parts charges. This warranty lasts as long as you own your Rocketfish Product during the Warranty Period. Warranty coverage terminates if you sell or otherwise transfer the Product.

How to obtain warranty service?

If you purchased the Product at a retail store location, take your original receipt and the Product to the store you purchased it from. Make sure that you place the Product in its original packaging or packaging that provides the same amount of protection as the original packaging. If you purchased the Product from an online web site, mail your original receipt and the Product to the address listed on the web site. Make sure that you put the Product in its original packaging or packaging that provides the same amount of protection as the original packaging.

Where is the warranty valid?

This warranty is valid only to the original purchaser of the Product in the United States, Canada, and Mexico.

What does the warranty not cover?

This warranty does not cover:

- Customer instruction
- Installation
- Set up adjustments
- Cosmetic damage
- Damage due to acts of God, such as lightning strikes
- Accident
- Misuse
- Abuse
- Negligence
- Commercial use
- Modification of any part of the Product, including the antenna

This warranty also does not cover:

- Damage due to incorrect operation or maintenance
- Connection to an incorrect voltage supply
- Attempted repair by anyone other than a facility authorized by Rocketfish to service the Product
- Products sold as is or with all faults
- Consumables, such as fuses or batteries
- Products where the factory applied serial number has been altered or removed

REPAIR REPLACEMENT AS PROVIDED UNDER THIS WARRANTY IS YOUR EXCLUSIVE REMEDY. ROCKETFISH SHALL NOT BE LIABLE FOR ANY INCIDENTAL OR CONSEQUENTIAL DAMAGES FOR THE BREACH OF ANY EXPRESS OR IMPLIED WARRANTY ON THIS PRODUCT, INCLUDING, BUT NOT LIMITED TO, LOST DATA, LOSS OF USE OF YOUR PRODUCT, LOST BUSINESS OR LOST PROFITS. ROCKETFISH PRODUCTS MAKES NO OTHER EXPRESS WARRANTIES WITH RESPECT TO THE PRODUCT, ALL EXPRESS AND IMPLIED WARRANTIES FOR THE PRODUCT, INCLUDING, BUT NOT LIMITED TO, ANY IMPLIED WARRANTIES OF AND CONDITIONS OF MERCHANTABILITY AND FITNESS FOR A PARTICULAR PURPOSE, ARE LIMITED IN DURATION TO THE WARRANTY PERIOD SET FORTH ABOVE AND NO WARRANTIES, WHETHER EXPRESS OR IMPLIED, WILL APPLY AFTER THE WARRANTY PERIOD. SOME STATES, PROVINCES AND JURISDICTIONS DO NOT ALLOW LIMITATIONS ON HOW LONG AN IMPLIED WARRANTY LASTS, SO THE ABOVE LIMITATION MAY NOT APPLY TO YOU. THIS WARRANTY GIVES YOU SPECIFIC LEGAL RIGHTS, AND YOU MAY ALSO HAVE OTHER RIGHTS, WHICH VARY FROM STATE TO STATE OR PROVINCE TO PROVINCE.

Contact Rocketfish:

For customer service please call 1-800-620-2790
www.rocketfishproducts.com

Distributed by Best Buy Purchasing, LLC
7601 Penn Avenue South, Richfield, Minnesota, U.S.A.
55423-3645

© 2009 Best Buy Enterprise Services, Inc.

All rights reserved. ROCKETFISH is a trademark of Best Buy Enterprise Services, Inc. Registered in some countries. All other products and brand names are trademarks of their respective owners.

www.rocketfishproducts.com (800) 620-2790

Distributed by Best Buy Purchasing, LLC

7601 Penn Avenue South, Richfield, MN 55423-3645 USA

© 2009 Best Buy Enterprise Services, Inc.

All rights reserved. ROCKETFISH is a trademark of Best Buy Enterprise Services, Inc.

All other products and brand names are trademarks of their respective owners.

09-0592
ENGLISH